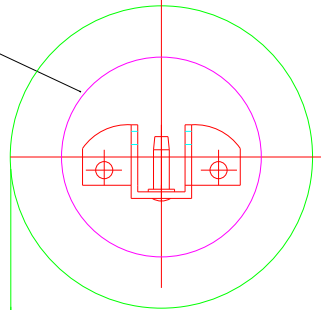


AUTOMATIC ROLLER MECHANISM WITH FABRIC.

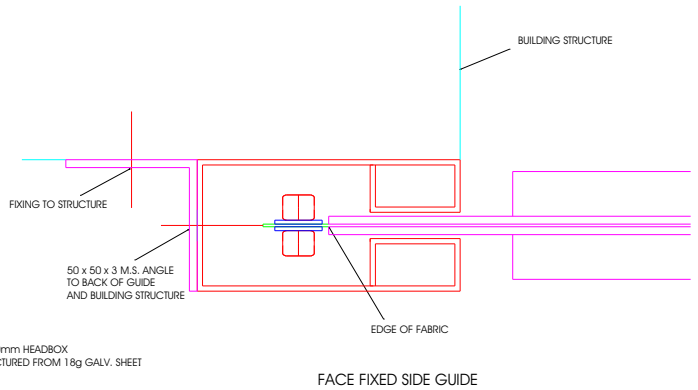
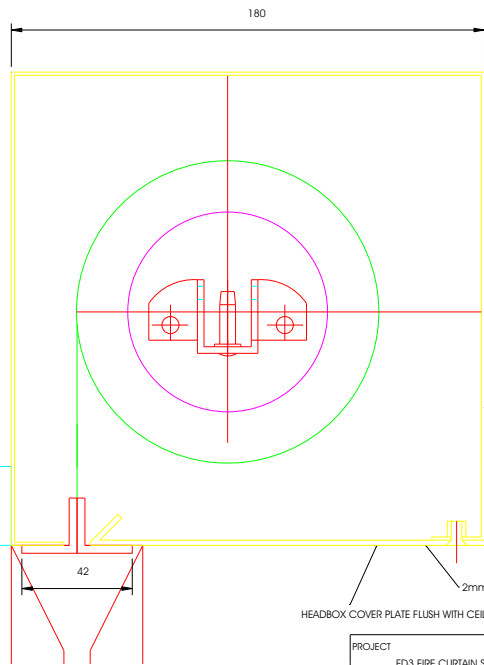


CURTAIN SHOWN WITH 3 METRES OF FABRIC

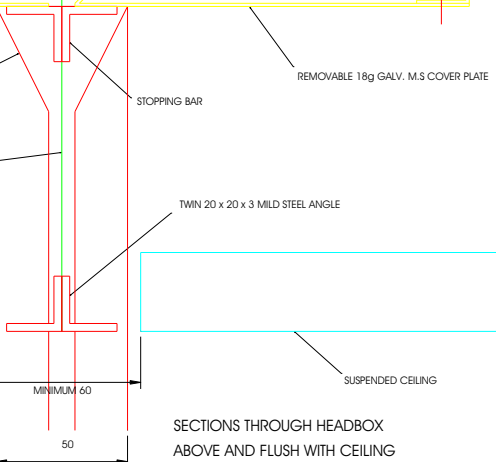
SIDE GUIDE (ISOMETRIC)

SURFACE MOUNTED SIDE GUIDE

180 x 180mm HEADBOX MANUFACTURED FROM 18g GALV. SHEET



TOP OF SIDE GUIDE FLUTED TO ALLOW ENTRY OF BOTTOM BAR



SECTIONS THROUGH HEADBOX ABOVE AND FLUSH WITH CEILING

FIXING TO STRUCTURE

50 x 50 x 3 M.S. ANGLE TO BACK OF GUIDE AND BUILDING STRUCTURE

EDGE OF FABRIC

FACE FIXED SIDE GUIDE

180 x 180mm HEADBOX MANUFACTURED FROM 18g GALV. SHEET

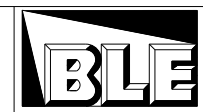
HEADBOX COVER PLATE FLUSH WITH CEILING

REV A :-	REV B :-	REV C :-	REV D :-	REV E :-	SCALE 1:2
DATE :-	DATE :-	DATE :-	DATE :-	DATE :-	DISC NO.

PROJECT FD3 FIRE CURTAIN SYSTEM
DRAWN BY D. NAYLOR
DATE 24/01/05
CHECKED BY
DATE
<small>ALL DIMENSIONS IN MILLIMETRES UNLESS STATED OTHERWISE. DO NOT SCALE. IF IN DOUBT ASK.</small>

TITLE
SECTIONS THROUGH FD3 HEADBOX,
PLAN AND ISOMETRIC VIEWS OF SIDE GUIDE
SHOWING ALTERNATIVE FIXING METHODS

DRAWING NUMBER GENFD3/01



MAKING BUILDINGS SAFER
BRADLEY LOMAS ELECTROLOK LTD.
TEL :- 01246 436361
FAX :- 01246 436726

- EMERGENCY LIGHTING
- ACCESS CONTROL
- FIRE ALARM
- SMOKE CURTAINS
- SECURITY C.C.T.V.